

1

2

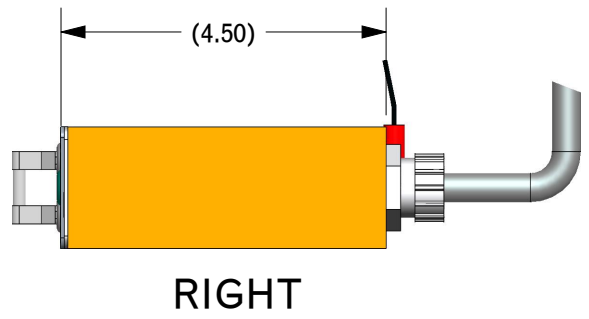
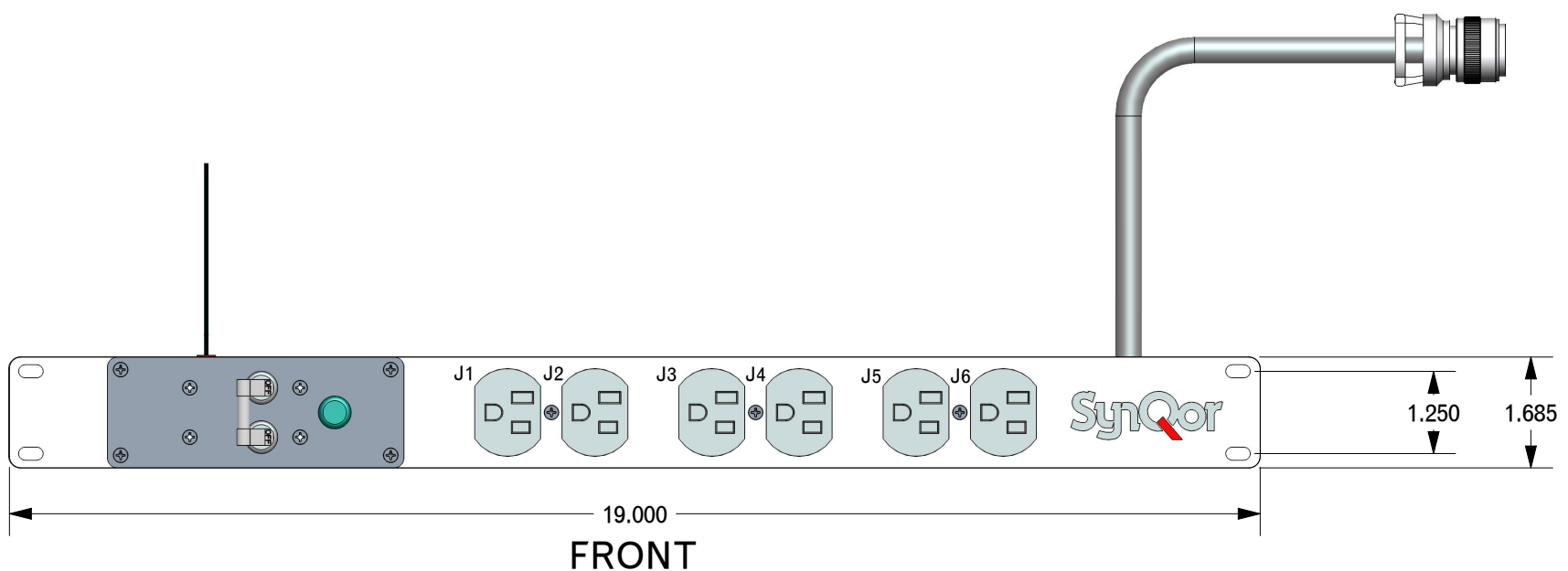
3

4

A

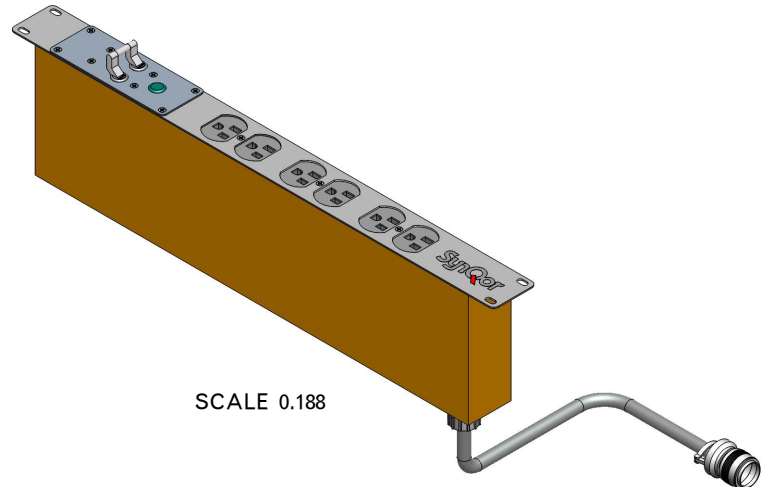
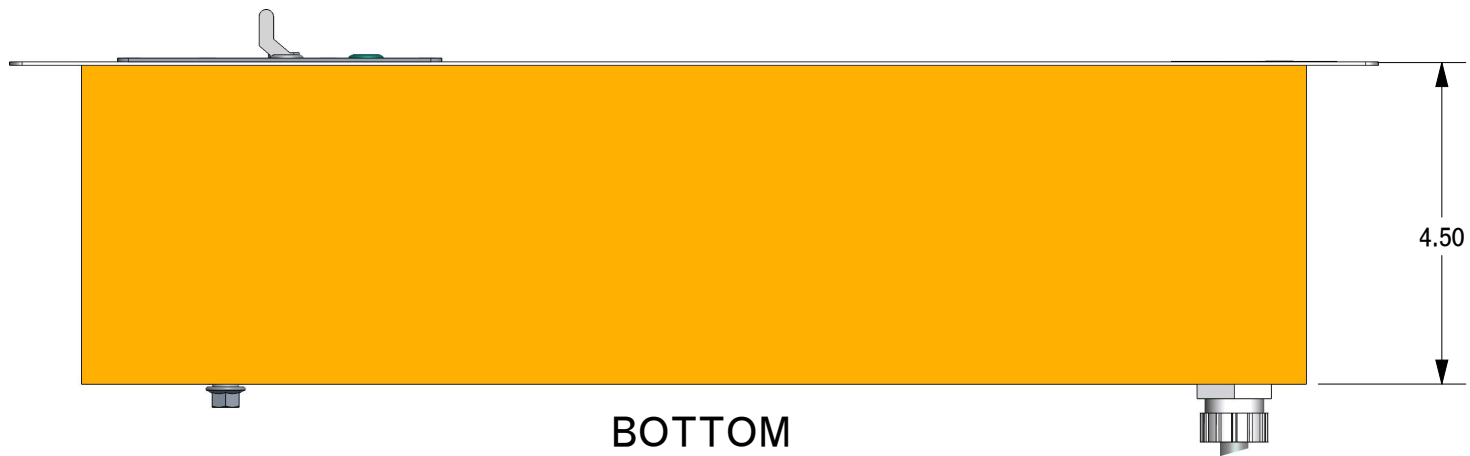
A

REVISIONS			
REV	DESCRIPTION	DATE	APPROVED
A	RELEASE TO PROD, ECO 12-15488	AUG-21-12	J.TICHY
B	UPDATE CABLE POSITIONS PER ECO 20-26211	FEB-05-20	K.DUBROWN



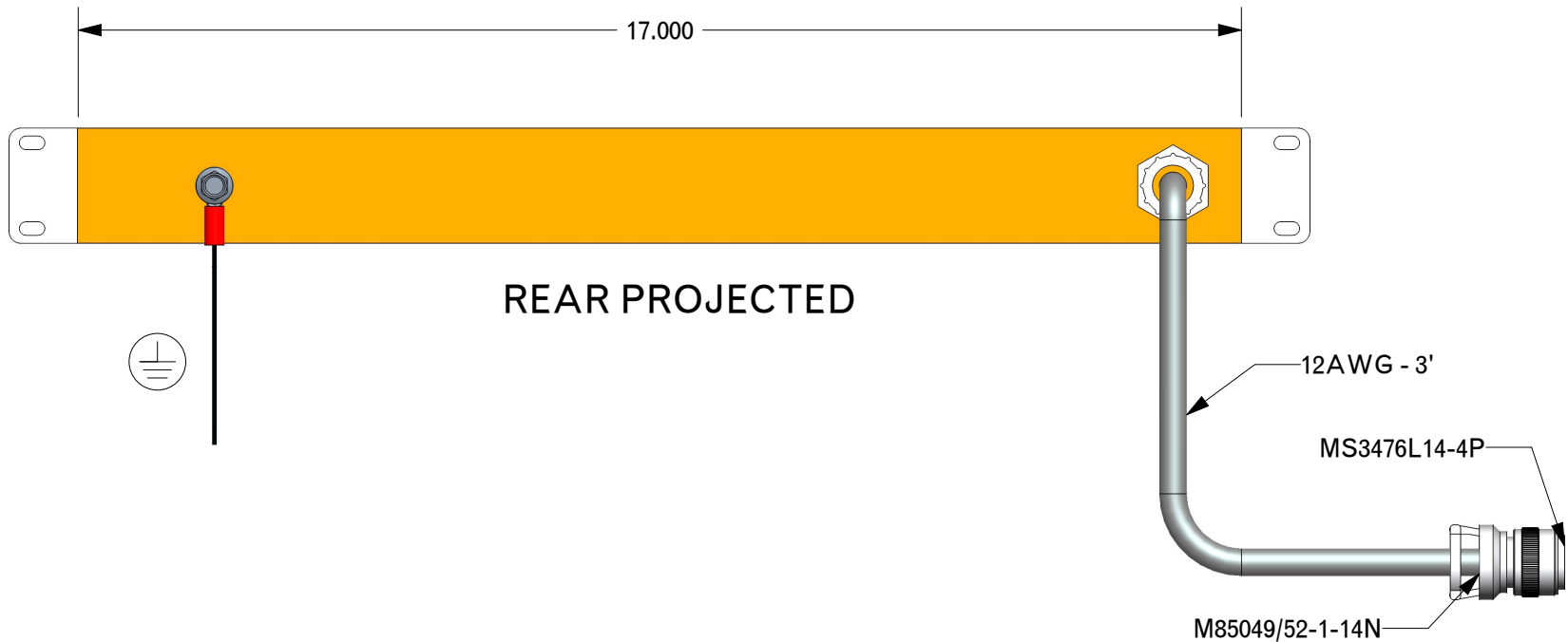
B

B



C

C



- NOTES:
- 1) PLUG RECEPTACLE: NEMA 5-15R, 15A 120V.
 - 2) CIRCUIT BREAKER: 15A, 2 POLE, SERIES TRIP, MEDIUM DELAY
 - 3) WEIGHT: 3.25lbs (1.47kgs)
 - 4) STANDARD HOLE LOCATIONS FOR 19" RACK MOUNT

D

D

TOLERANCES: Unless otherwise specified: All dimensions in inches .X +/- .025 .XX +/- .010 .XXX +/- .005 Angles +/- 1°		 Third Angle Projection	
		155 Swanson Road Boxborough, MA 01719-1316	
UPS POWER STRIP WITH BREAKER			
SOURCE: PRO/E SYN-9232			
SIZE	DATE	DWG. NO.	REV
B	FEB-05-20	SYN-9232	B
SCALE: 0.375		DRAWN: KJD	CHECK: SHEET 1 of 1

1

2

3

4